

V30/BID104(P)/EE/201605

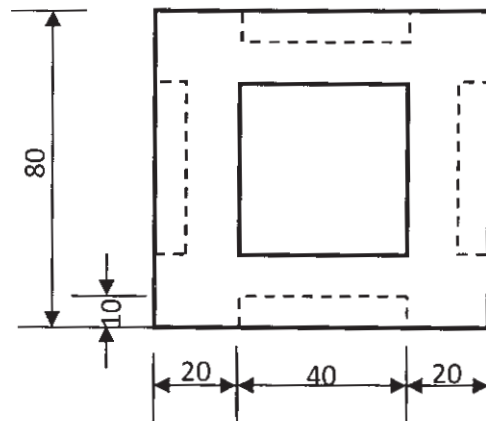
Time : 3 Hours

Max. Marks : 60

Instructions for the students:

1. All questions are compulsory.
2. Figures to the right indicate full marks.
3. Assume suitable data if necessary.
4. Refer the given drawings.

1. Draft the orthographic projections of the given object and also draft the isometric view of the same- 20



All side elevations and plan

2. Refer to the bedroom measuring 5.00m × 4.20m and draft a two point perspective view. Assume suitable data and use standard dimensions. 40

Drawings to show-

- a) Render the perspective view
- b) Additional accessories

Room height = 3000

Window sill = 900

Door ht. = 2100

SP = 3000

EL = 1650

SCALE = 1.10

