

V71/BCP103/EE/201605

Time : 3 Hours

Marks : 80

Instruction :

1. All Questions are Compulsory.
 2. Each Sub-question carry 5 marks.
 3. Each Sub-question should be answered between 75 to 100 words. Write every questions answer on separate page.
 4. Question paper of 80 Marks, it will be converted in to your programme structure marks.
-

1. Solve any **four** sub-questions.
 - a) Explain various drawing instruments and their uses with neat and clean sketches. 5
 - b) State the general rules for dimensioning. 5
 - c) Describe various types of scales used. 5
 - d) Draw the symbol for first angle and third angle method of projection. 5
 - e) What is mean by R.F.? 5

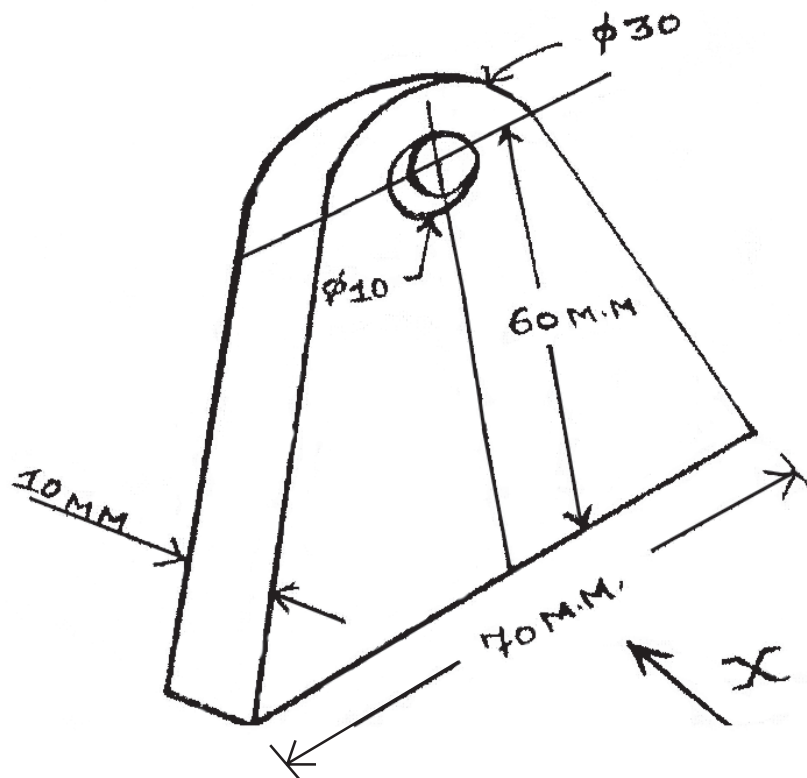
2. Solve any **four** sub-questions.
 - a) Construct a plain scale of RF = 1:4, to show centimeters and long enough to measure up to 5 decimeters. 5
 - b) Draw locus using a focus and directrix method who having Distance of a focus from directrix is 50 mm and eccentricity is $\frac{2}{3}$. 5
 - c) Construct a involutes for a circle having 3 cm radius. 5
 - d) Draw an arc by concentric circle method which having major and minor axis 100 mm and 70 mm respectively. 5
 - e) Construct involutes for a pentagon having side 3 c.m. each. 5

3. Solve any **four** sub-questions.
 - a) State different types of arrowheads? 5

- b) Mention type of lines used in drawing with neat and clean sketch. 5
- c) State the difference between both methods of projection for orthographic view. 5
- d) Draw the detail sketch of drawing board and mini drafter. 5
- e) Explain unidirectional method of dimensioning. 5

4. Solve any **four** sub-questions.

- a) Draw orthographic front view of the following. 5



- b) Construct an ellipse by arc of circle method having a major and minor axis 120 and 80 mm. 5

